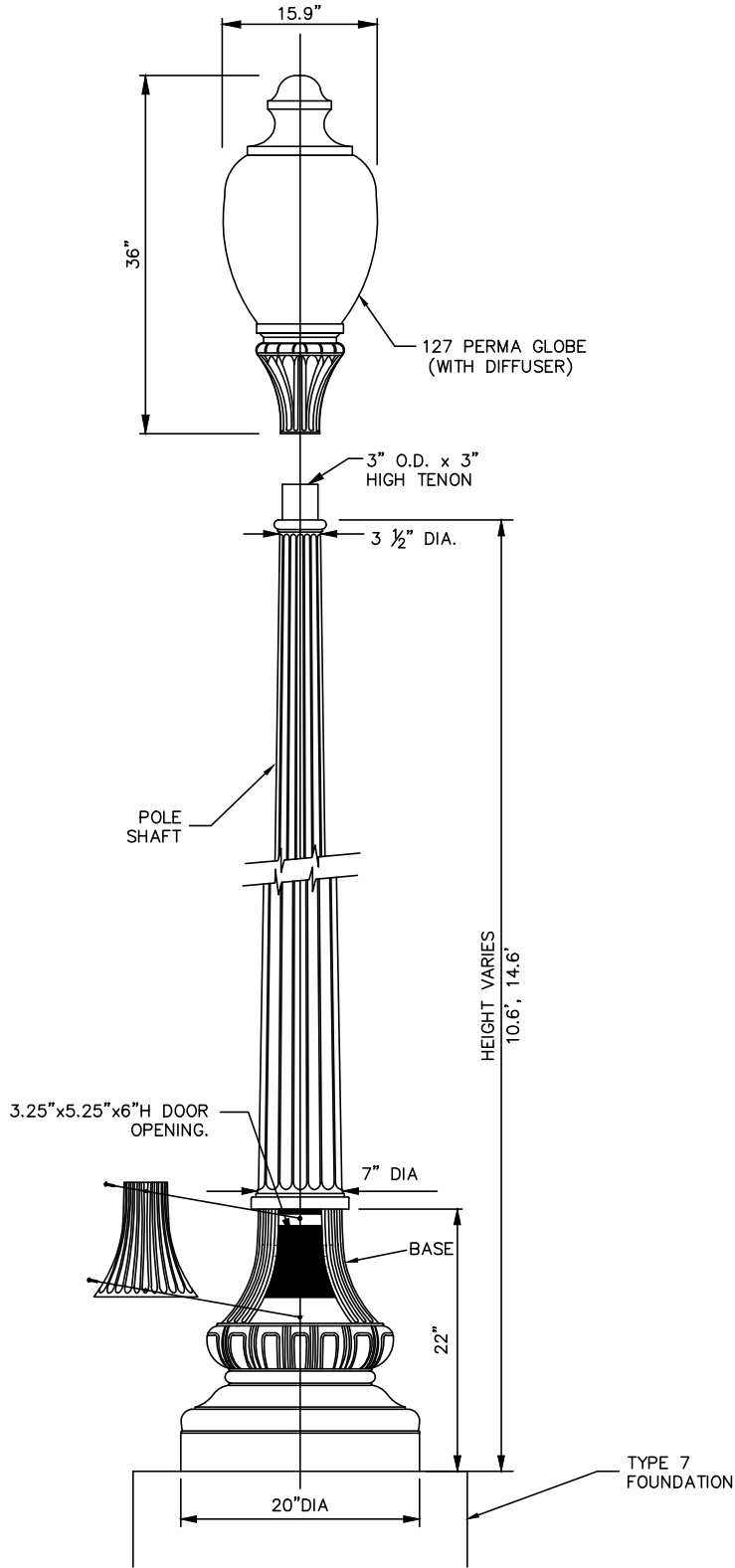


SIMPLE ORNAMENTAL



STREET LIGHT SPECIFICATIONS:

FIXTURE:

AMERICAN ELECTRIC LIGHTING

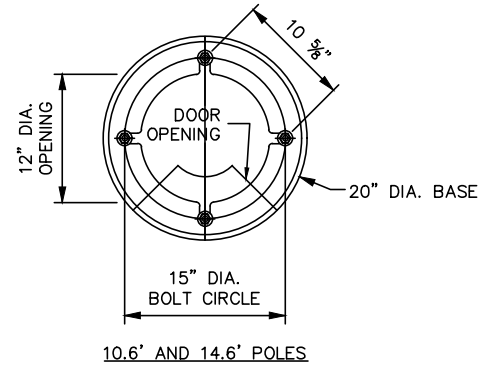
MODEL:
LMD-07M-CA-MT1-R5-PN-PR-BD-LD

LAMP TYPE:
- FROSTED 70W MH LAMP

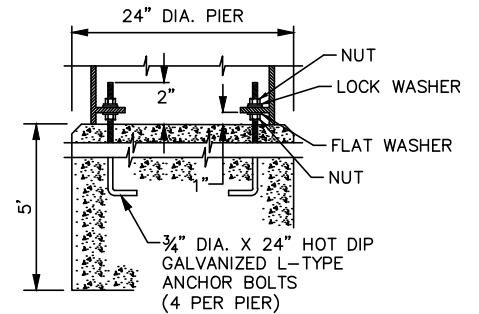
POLE:

HOLOPHANE-COLUMBIA ALUMINUM POLE
10.6' POLE: CLA10.6(OAL)FTJ20P07BK-MOD,AB-31-4
RFD110736
14.6' POLE: CLA14.6(OAL)FTJ20P07BK-MOD,AB-31-4
RFD110737

ANCHOR PLATE DETAILS:



FOUNDATION DETAIL:



CITY OF FORT WORTH, TEXAS
**STREET LUMINAIRE -
BERKLEY STYLE POLE**

REVISED: 06-22-2016

Marietta

Series LMD

50-250W HPS, 50-250W MH

PRODUCT OVERVIEW



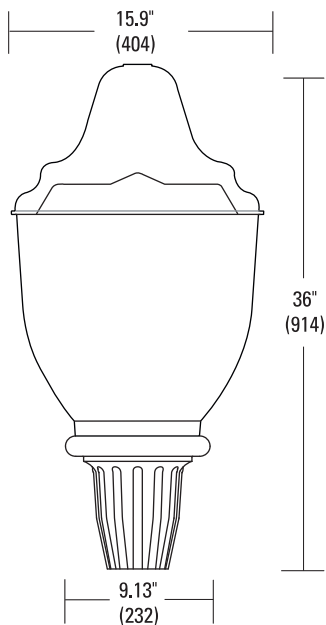
Applications:

Streetscapes
Walkways
Pathways
Parks

Features:

Available in solid or clear top prismatic globe
Interchangeable base with a wide variety of globes
Symmetric or Asymmetric distribution
Available in Semi-Cutoff IES classification
Injection-molded, high-impact acrylic or polycarbonate
Excellent uniformity, light distribution and efficiency
Maximizes pole spacing
Base and optical ship separately
HPS units standard with encapsulated starter that is located at the socket for quick access
Quick disconnect plug for easy maintenance
Easy access component door
Photocontrol and terminal block available and located with easy access from component door
Uplight shield is standard
E39 mogul base socket standard
Mounts to 3" x 3" pole top tenons
All electrical components warranted by American Electric Lighting's 6-year guarantee
Complies with ANSI: C136.2, C136.10, C136.15, C136.31
Suitable for -30°C MH / -40°C HPS

DIMENSIONS



Effective Projected Area (EPA)
The EPA for the Marietta Series is 2.7 sq. ft.
Approx. Wt. = 24lbs.

PREFERRED SELECTION CATALOG NUMBERS

LMD 10S RN 120 R3 PA PR
LMD 10S RN 120 R5 PA PR
LMD 10M XN MT1 R3 PA PR
LMD 10M XN MT1 R5 PA PR

ORDERING INFORMATION

Example: LMD 17M CA MT1 R5 PA PR PC

Series	Wattage / Source	Ballast	Voltage	Distribution
LMD Marietta	05 50W	S HPS	120 120V	R3 Type III
	07 70W	M MH	208 208V	
	10 100W		240 240V	
	15 150W		277 277V	
	17 175W		347 347V	
	25 250W ²		480 480V	
		RN Reactor Normal Power Factor	MT1 Multi-tap Wired 120V	
		RH Reactor High Power Factor	MT2 Multi-tap Wired 240V	
		XN High Reactance/Lag NPF	MT7 Multi-tap Wired 277V	
		XH High Reactance/Lag HPF	DT2 Dual Tap 120/240 Wired 240V	
		CA CWA Auto-Reg	TT3 Tri-tap Wired 347V	
		CT CWI		

Refer to ballast matrix on page 102 for compatibility.

Options

Globe

- PA** Prismatic Acrylic SolidTop (optical)
- PT** Prismatic Clear Top Polycarbonate (optical)
- PN** Prismatic Clear Top Acrylic (optical)

Paint³

- (blank) Black
- VG** Verde Green
- BZ** Bronze

Terminal Block

- (blank) Terminal Block (std)
- T2** Wired to L1 & L2 Positions
- T3** 3 Wire Operations (L1, N, L2 Position)⁴

Receptacle

- (blank) No Photocontrol Receptacle (std)
- PR** Photocontrol Receptacle

Lamp

- LC** Lamp Included, Clear
- LD** Lamp Included, Deluxe/Coated

Misc

- PC** Locking Type Photocontrol¹
- SH** Shorting Cap¹
- SS** Stainless Steel Fasteners (external)
- BD** Without Decorative Cage
- F5** Spike Finial⁵
- TL** Tool-less Entry
- US** Uplight Shield

Notes:

- 1 For use with PR option
- 2 250W adds 3" to housing height
- 3 Other colors available, please contact your local American Electric Lighting representative
- 4 T3 option only available with 240, 480, DT2, DT4, MT2
- 5 Standard with PA optic